

353-2310-95

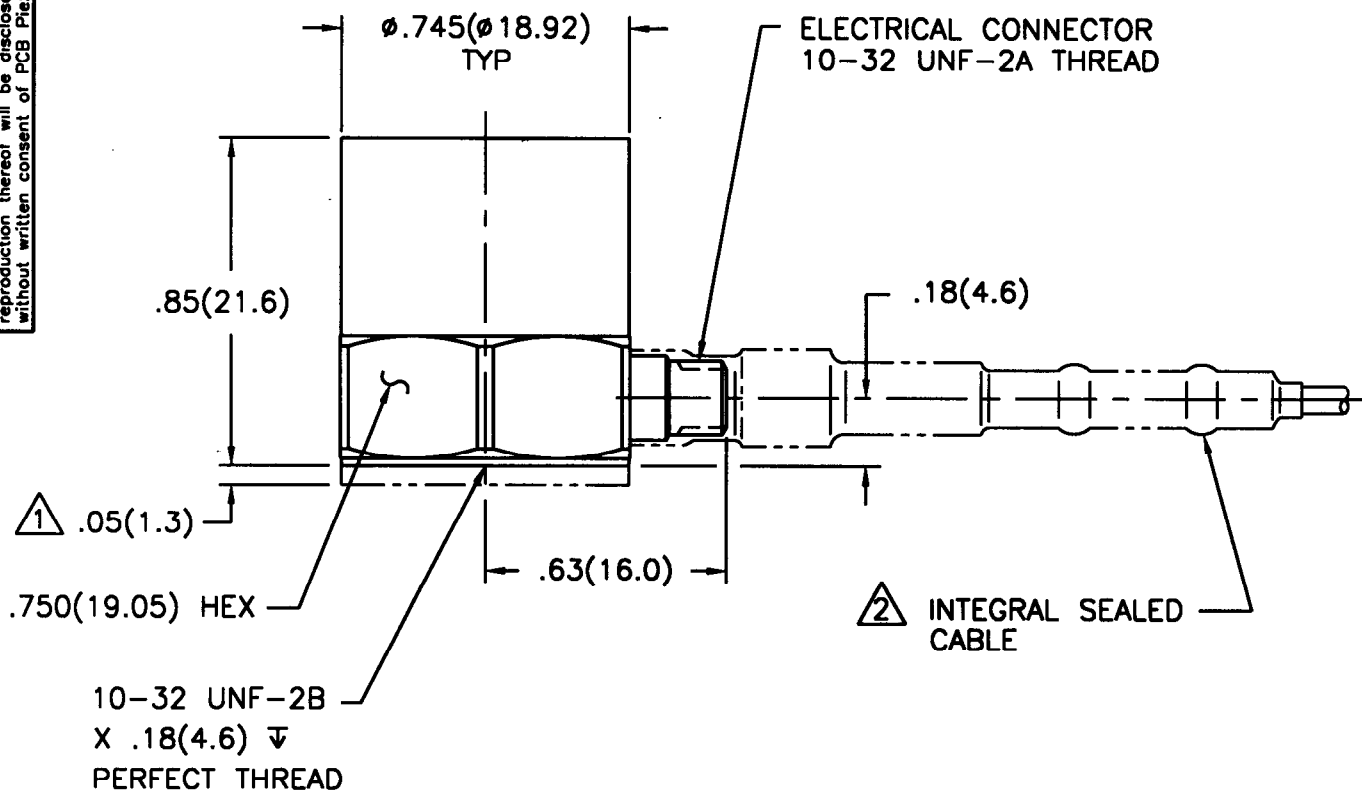
PCB Piezotronics Inc. claims proprietary rights in the information disclosed hereon. Neither it nor any reproduction thereof will be disclosed to others without written consent of PCB Piezotronics Inc.

APPLICATION

NEXT ASS'Y	USED ON	VAR

REVISIONS

REV	DESCRIPTION	ECN	DATE	APP'D
A	REVISED PER ECN	6348	1-30-96	DM 2/96
B	REVISED PER ECN	7617	2/19/97	DM 2/97



ADD CABLE FOR TRANSDUCER WITH WATER RESISTANT OPTION.



ADD DIMENSION FOR TRANSDUCER WITH GROUND ISOLATED OPTION.

UNLESS SPECIFIED TOLERANCES

DIMENSIONS IN INCHES	DIMENSIONS IN MILLIMETERS (IN PARENTHESIS)
DECIMALS XX ± .01 XXX ± .005	DECIMALS XX ± 0.3 XXX ± 0.13
ANGLES ± 2 DEGREES	ANGLES ± 2 DEGREES

FILLETS AND RADII .003 - .005	FILLETS AND RADII (0.07 - 0.13)
----------------------------------	------------------------------------

DRAWN	AS	2/21/97	MFG	JBS.	2/25/97
CHK'D	DM	2/25/97	ENGR	Part	2/25/97
APP'D	DM	2/26/97		DA	2/26/97

TITLE  
OUTLINE DRAWING  
MODEL 353B31  
ACCELEROMETER

**PCB** PIEZOTRONICS, INC.  
3425 WALDEN AVE. DEPEW, NEW YORK 14043  
PHONE: (716) 884-0001

CODE IDENT. NO. 52681  
DWG. NO. 353-2310-95

SCALE: 2X SHEET 1 OF 1