

2

1

APPLICATION

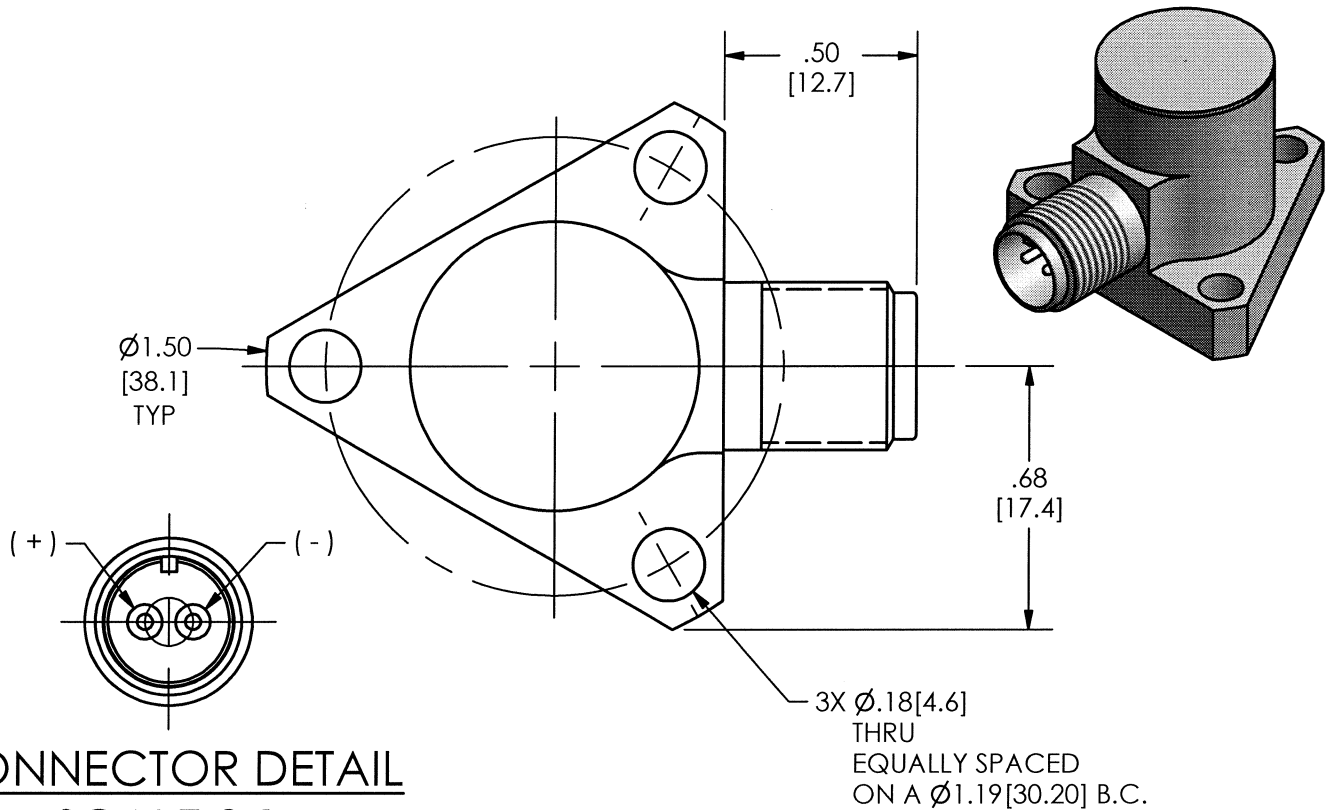
REVISIONS

NEXT ASS'Y	USED ON	VAR

REV	DESCRIPTION	ECN	APP'D
NR	RELEASED TO DRAFTING		ECB ²⁴ 06

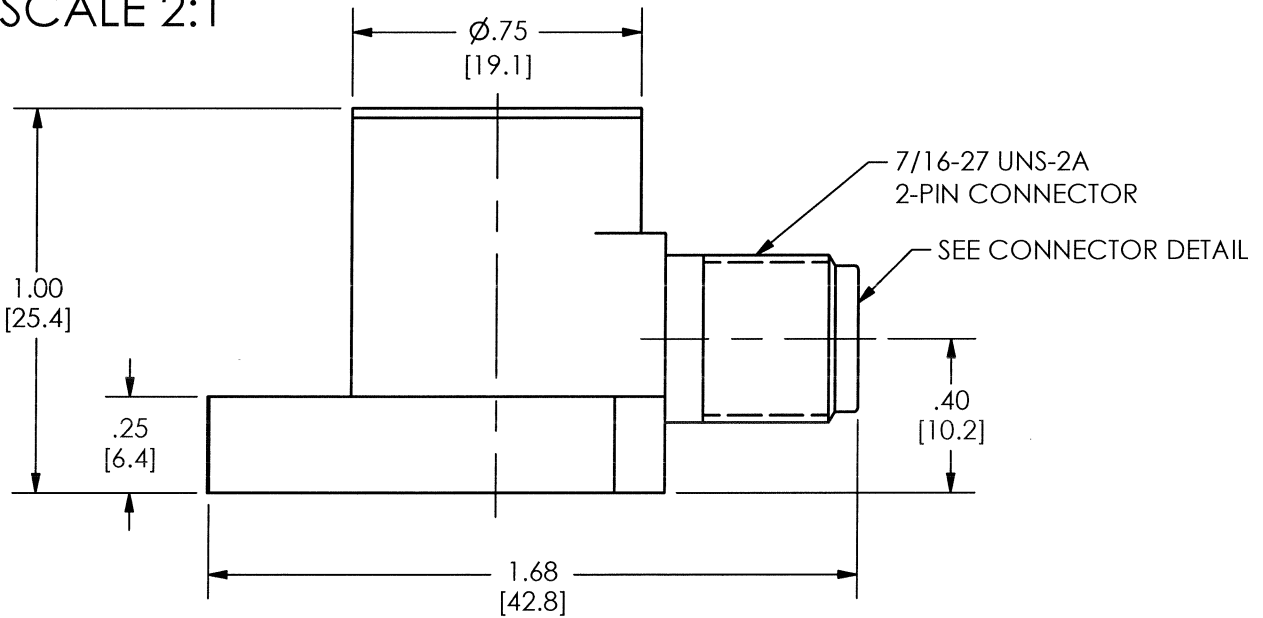
27753

PCB Piezotronics Inc. claims proprietary rights in the information disclosed hereon. Neither it nor any reproduction thereof will be disclosed to others without the written consent of PCB Piezotronics Inc.



CONNECTOR DETAIL

SCALE 2:1



UNLESS OTHERWISE SPECIFIED TOLERANCES ARE:

DIMENSIONS IN INCHES	DIMENSIONS IN MILLIMETERS [IN BRACKETS]
DECIMALS XX ± .03 XXX ± .010	DECIMALS X ± 0.8 XX ± 0.25
ANGLES ± 2 DEGREES	ANGLES ± 2 DEGREES

FILLETS AND RADII .003 - .005

FILLETS AND RADII [0.07 - 0.13]

DRAWN	<i>pm</i>	STG	MFG	<i>MT</i>	<i>8/28/06</i>
CHK'D	<i>ECB</i>	<i>24</i>	ENGR	<i>LJR</i>	<i>8/25/06</i>
APP'D	<i>Mark</i>	<i>8/28/06</i>	SALES	<i>USA</i>	<i>8/25/06</i>

TITLE
 OUTLINE DRAWING
 357B81/82/83
 BOLTED SHEAR ACCELEROMETER

PCB PIEZOTRONICS INC
 3425 WALDEN AVE. DEPEW, NY 14043
 (716) 684-0001 E-MAIL: sales@pcb.com

CODE IDENT. NO. 52681	DWG. NO. 27753
SCALE: 2X	SHEET 1 OF 1

2

1