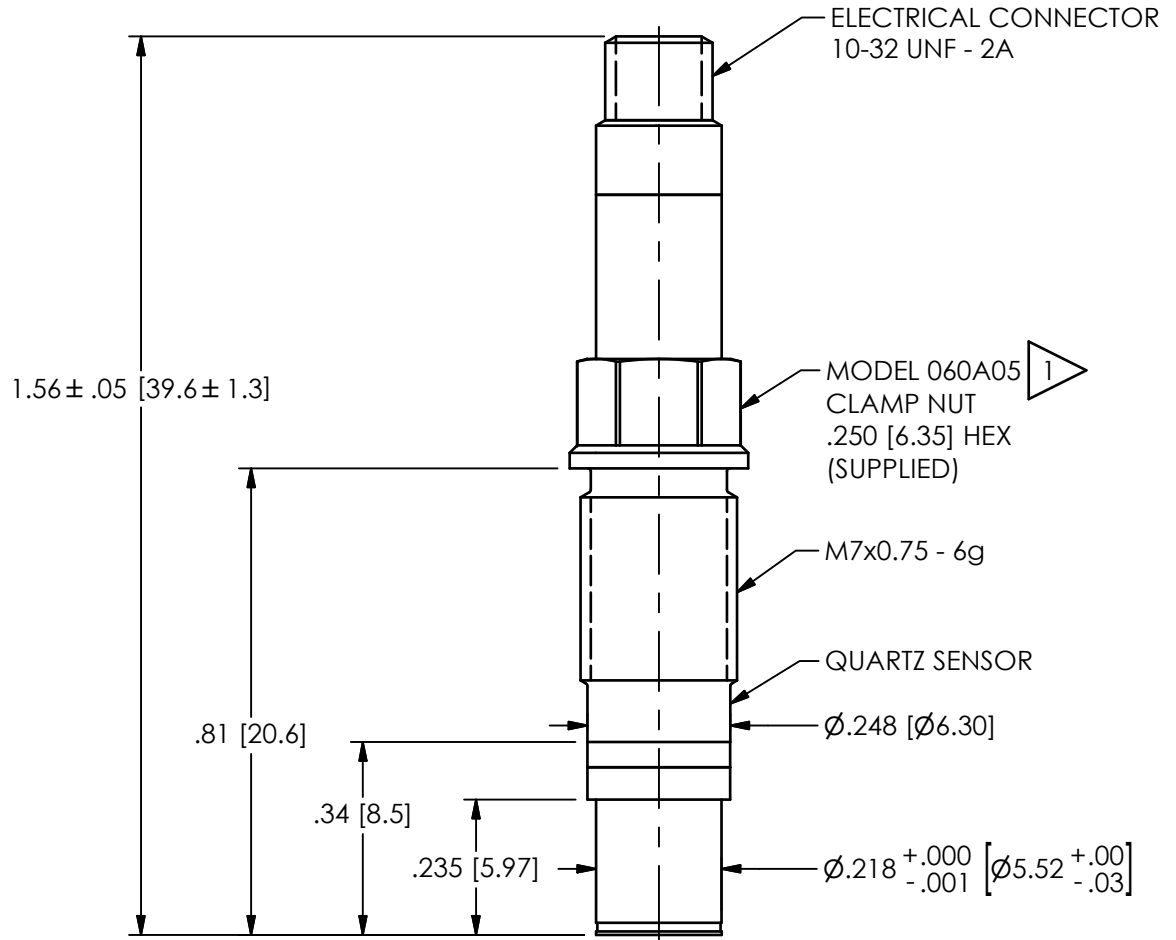


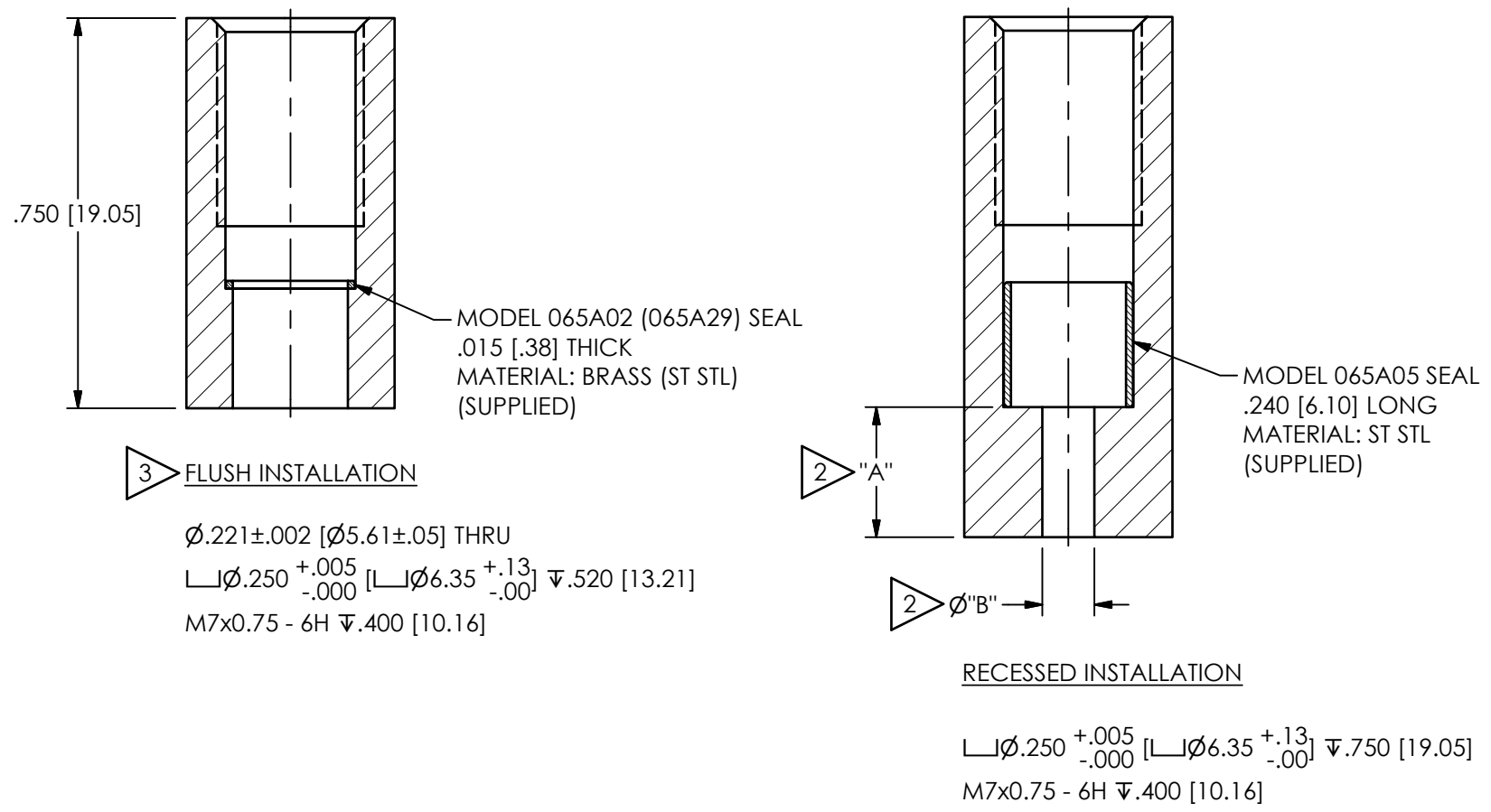
36450

PCB Piezotronics Inc. claims proprietary rights in the information disclosed hereon. Neither it nor any reproduction thereof will be disclosed to others without the written consent of PCB Piezotronics Inc.

REVISIONS		
REV	DESCRIPTION	DIN
D	UPDATED OVERALL LENGTH DIMENSION	53183



**MOUNTING HOLE PREPARATION**



- 3 THESE DIMENSIONS FOR .75 [19.1] THICK WALL, □ THICKER WALLS TO THIS DIMENSION
- 2 DIMENSIONS "A" AND Ø"B" TO SUIT USER REQUIREMENTS
- 1 RECOMMENDED TORQUE ON CLAMP NUT 23-35 IN-LBS [225-395 N-cm]

UNLESS OTHERWISE SPECIFIED TOLERANCES ARE:		DRAWN		CHECKED		ENGINEER	
DIMENSIONS IN INCHES		NJF	10/04/22	JDM	10/04/22	AJA	10/04/22
DECIMALS XX ±.01 XXX ±.005		TITLE					
ANGLES ± 2 DEGREES		INSTALLATION DRAWING M112 SERIES PRESSURE SENSORS					
CABLE TOLERANCES IN ENGLISH		PCB PIEZOTRONICS AN AMPHENOL COMPANY 3425 WALDEN AVE. DEPEW, NY 14043 (716) 684-0001 E-MAIL: sales@pcb.com					
1"≤ LENGTH < 1' = +1' / - 0		CODE IDENT. NO. 52681		DWG. NO. 36450		SCALE: 3X SHEET 1 OF 1	
1'≤ LENGTH < 5' = +2" / - 0							
5'≤ LENGTH < 100' = +6" / - 0							
100'≤ LENGTH = +1' / - 0							
FILLETS AND RADII .003 - .005							
DIMENSIONS IN MILLIMETERS [ IN BRACKETS ]							
DECIMALS X ± 0.3 XX ± 0.13							
ANGLES ± 2 DEGREES							
CABLE TOLERANCES IN METRIC							
2.54cm ≤ LENGTH < 30.5cm = +2.54cm / - 0							
30.5cm ≤ LENGTH < 1.5m = +5.1cm / - 0							
1.5m ≤ LENGTH < 30.5m = +15.2cm / - 0							
30.5m ≤ LENGTH = +30.5cm / - 0							
FILLETS AND RADII 0.07 - 0.13							