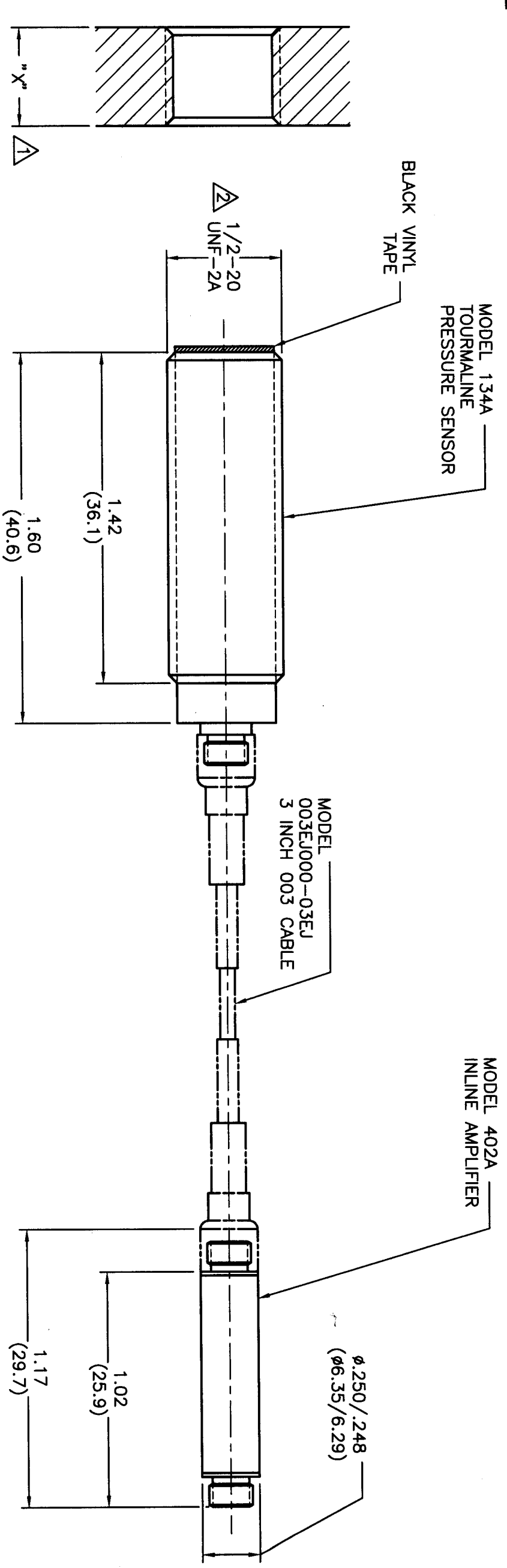


APPLICATION USED ON VAR

PCB Piezotronics Inc. claims proprietary rights in the information disclosed hereon. Neither it nor any reproduction thereof will be disclosed to others without written consent of PCB Piezotronics Inc.

REVISIONS		ECN	DATE	APP'D
ZONE	REV	DESCRIPTION		

14376



MOUNTING HOLE PREPARATION:  
Ø.453  
THRU  
TAP 1/2-20 UNF-2B

TEFLON TAPE OR OTHER THREAD SEALANT IS RECOMMENDED

"X" DIMENSION TO SUIT USER REQUIREMENTS

UNLESS SPECIFIED TOLERANCES		DIMENSIONS IN MILLIMETERS		DRAWN		MFG		DATE	
DIMENSIONS IN INCHES	DECIMALS XX ±.01	DIMENSIONS IN MILLIMETERS	(IN PARENTHESES) DECIMALS XX ±0.3	CHK'D	DM	ENGR	USE	DATE	
	XXX ±.005		XXX ±0.13	APP'D	REV	DATE	DATE		
	ANGLES ±2 DEGREES		ANGLES ±2 DEGREES	TITLE					
	FILLETS AND RADI		FILLETS AND RADI (0.07 - 0.13)	INSTALLATION DRAWING					
	.003 - .005			MODEL 134A24					
				PRESSURE SENSOR					

SCALE: 2x SHEET 1 OF 1

