

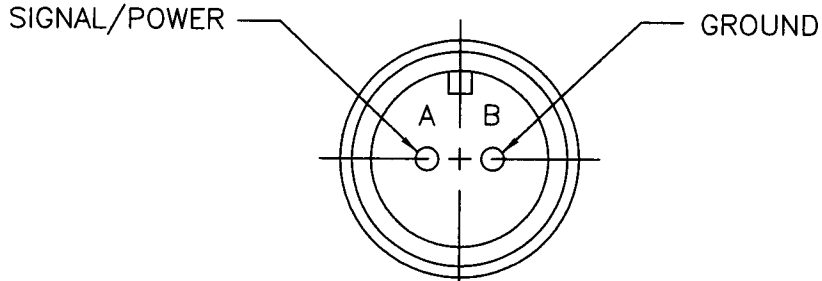
7781

PCB Piezotronics Inc. claims proprietary rights in the information disclosed hereon. Neither it, nor any reproduction thereof will be disclosed to others without written consent of PCB Piezotronics Inc.

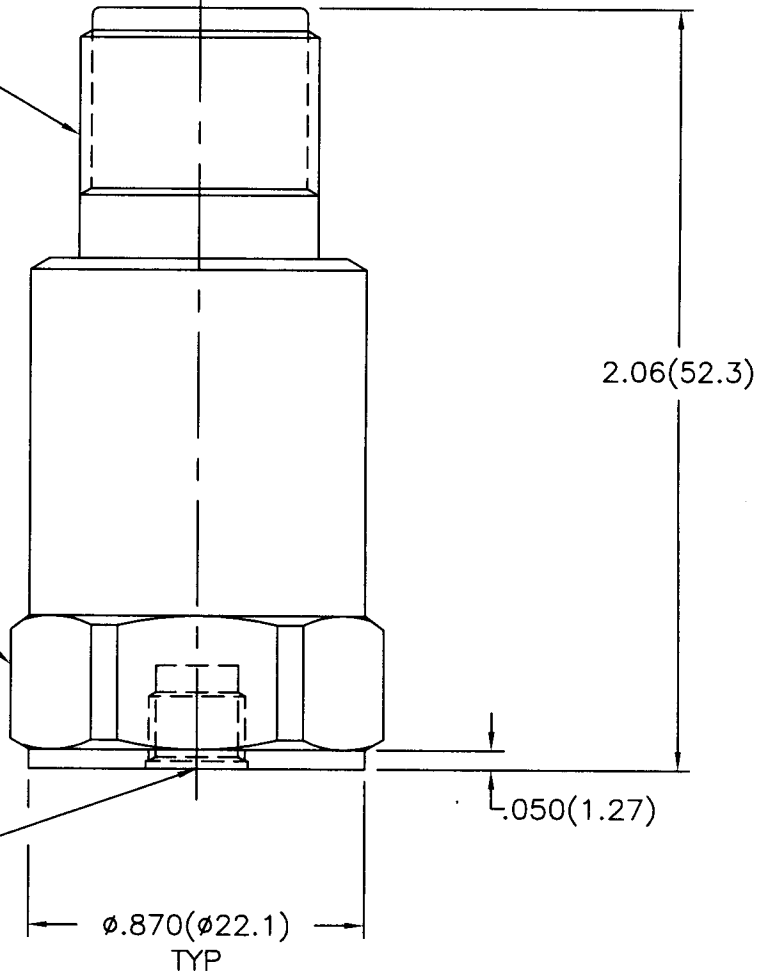
APPLICATION		
NEXT ASS'Y	USED ON	VAR

REVISIONS				
REV	DESCRIPTION	ECN	DATE	APP'D
A	UPDATE FOR UNIFORMITY	13113	2/21/01	dm 3/01

TOP VIEW OF CONNECTOR



ELECTRICAL CONNECTOR  
5/8-24 UNEF-2A  
2-PIN (MIL-C-5015)



7/8(22) HEX

1/4-28 UNF-2B  
X .20(5.1) ▽

UNLESS SPECIFIED TOLERANCES		DRAWN					PCB PIEZOTRONICS™ 3425 WALDEN AVE. DEPEW, NY 14043 (716) 684-0001 EMAIL: SALES@PCB.COM
DIMENSIONS IN INCHES	DIMENSIONS IN MILLIMETERS (IN PARENTHESIS)	MWS	3/12/01	MFG	P.L.P.	3/21/01	
DECIMALS XX ±.01	DECIMALS XX ±0.3	CHK'D	dm	ENGR	N.F.	3/21/01	
XXX ±.005	XXX ±0.13	APP'D	MW	SALES	EGY	3/23/01	
ANGLES ±2 DEGREES	ANGLES ±2 DEGREES	TITLE	OUTLINE DRAWING MODEL 627A01, M ACCELEROMETER				CODE IDENT. NO. 52681
FILLETS AND RADII .003 - .005	FILLETS AND RADII (0.07 - 0.13)					DWG. NO. 7781	SCALE: 2X
DD011 REV. B 03/13/98						SHEET 1 OF 1	