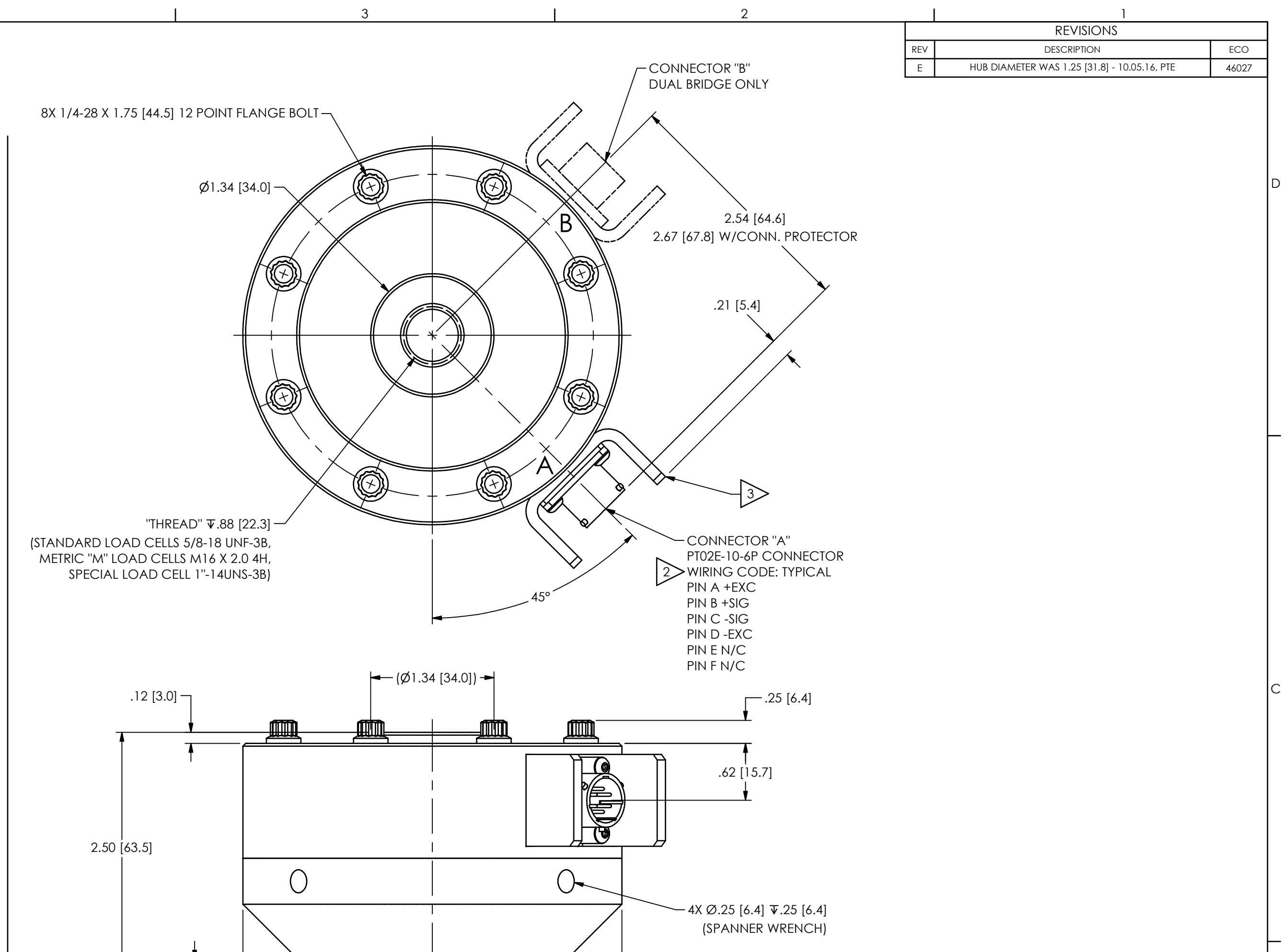
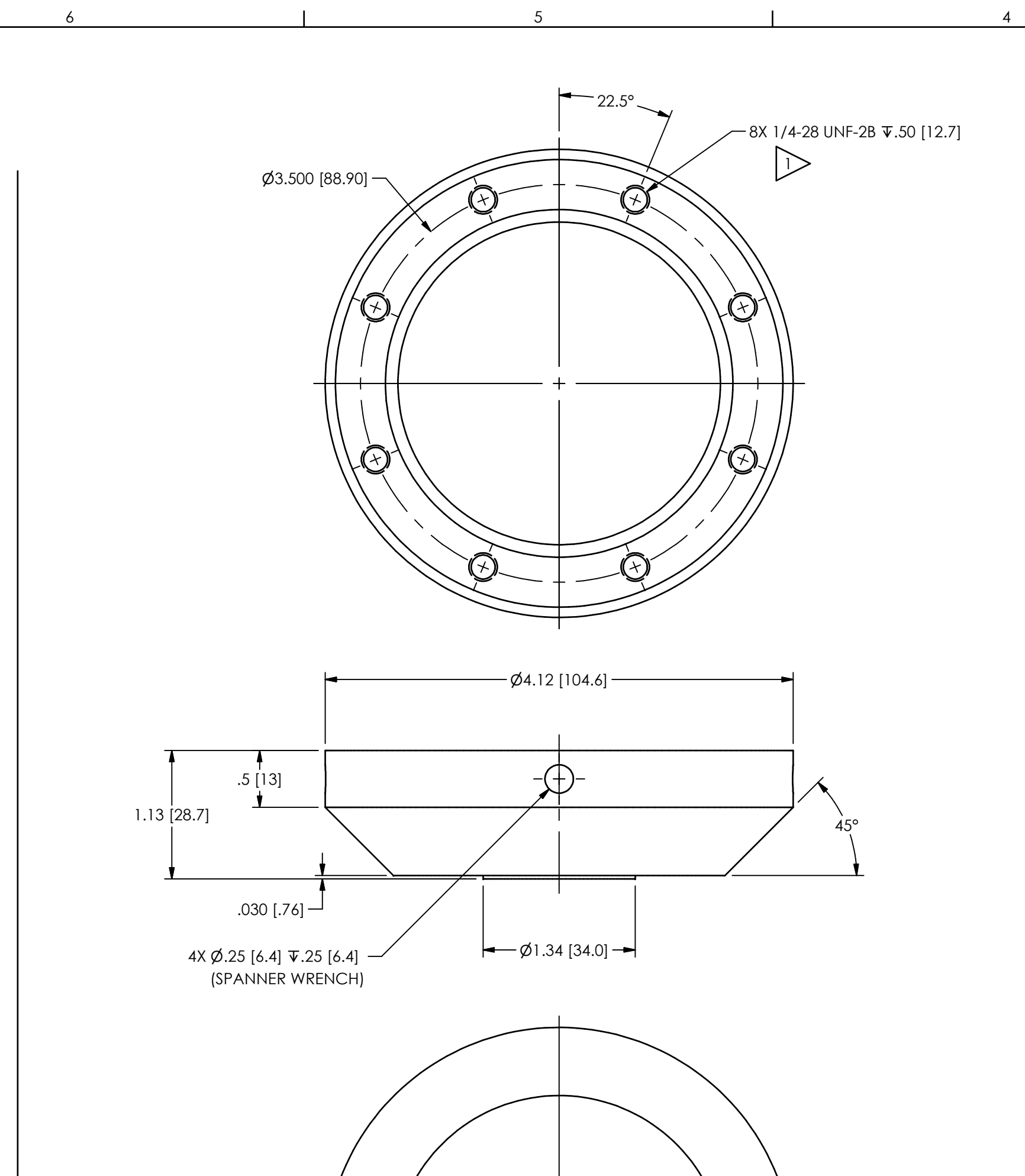
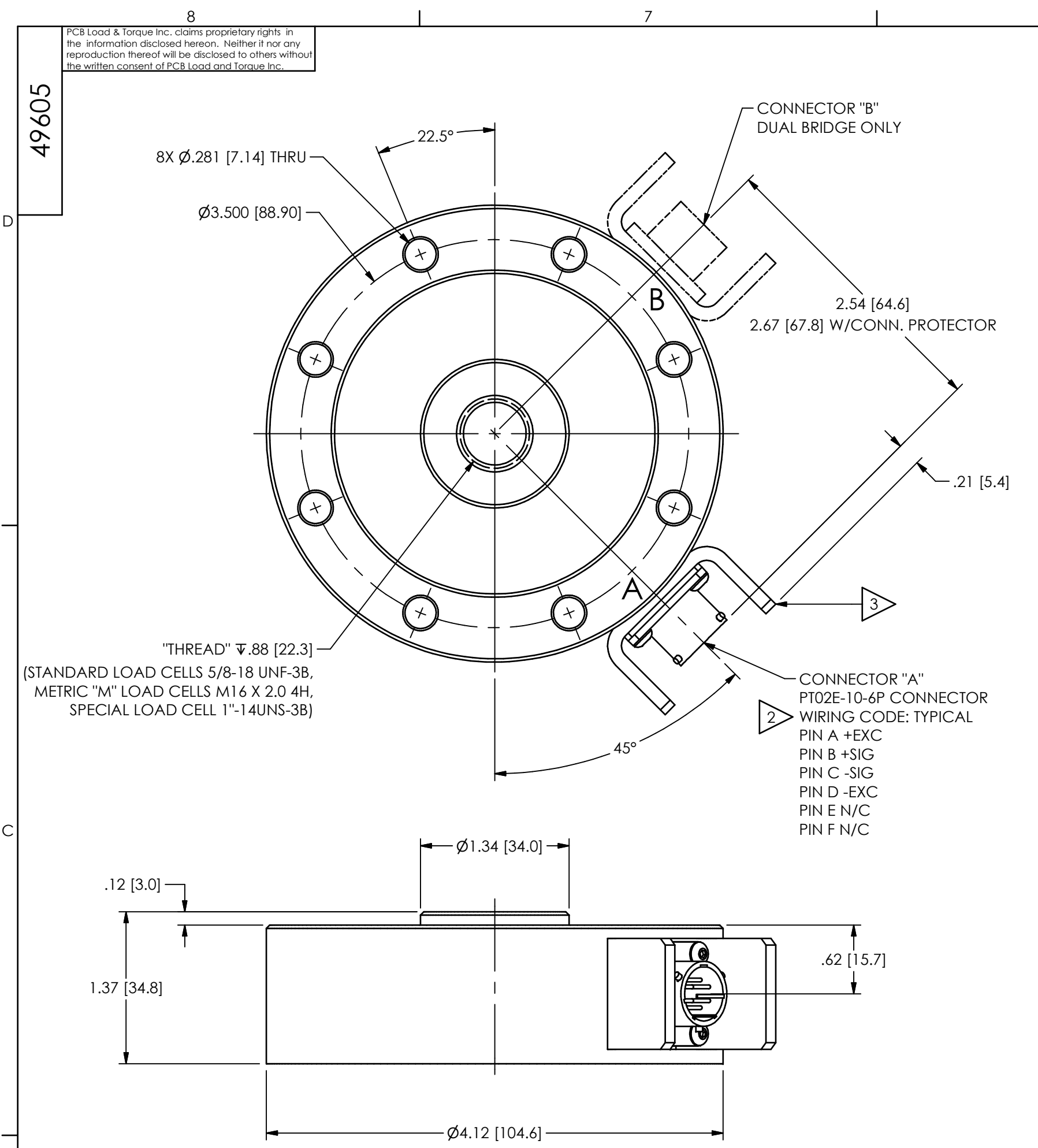


| REVISIONS | | |
|-----------|--|-------|
| REV | DESCRIPTION | ECO |
| E | HUB DIAMETER WAS 1.25 (31.8) - 10.05.16, PTE | 46027 |



1203, M1203, 1403 AND M1403 SERIES LOAD CELLS INCLUDING DUAL BRIDGE

1203, M1203, 1403 AND M1403 SERIES BASES

1203, M1203, 1403 AND M1403 SERIES LOAD CELLS W/BASES INCLUDING DUAL BRIDGE

MODEL 084A90 CONNECTOR PROTECTOR SHOWN: OPTIONAL ON ALL 1203/M1203 SERIES AND 1403/M1403 SINGLE BRIDGE LOAD CELLS STANDARD ON 1403/M1403 SERIES DUAL BRIDGE LOAD CELLS

WIRING CODE FOR "T" SERIES LOAD CELLS

- PIN A +EXC.
- PIN B +SIG.
- PIN C -SIG.
- PIN D -EXC.
- PIN E TEDS DATA
- PIN F TEDS GROUND

SUPPLIED WITH MATING FASTENERS.

| UNLESS OTHERWISE SPECIFIED TOLERANCES ARE: | | DRAWN | CHECKED | ENGINEER | PCB LOAD & TORQUE A PCB GROUP COMPANY |
|--|---|---|---------|----------|---|
| DIMENSIONS IN INCHES | DIMENSIONS IN MILLIMETERS [IN BRACKETS] | IND | JDM | PTE | |
| DECIMALS .XX ±.01 XXX ±.005 | DECIMALS X ±.03 XX ±.013 | 11/21/11 | | | 24350 Indoplex Circle, Farmington Hills, MI 48335 716) 684-0001 E-MAIL: info@pcbloadtorque.com |
| ANGLES ± .5 DEGREES | ANGLES ± .5 DEGREES | OUTLINE DRAWING 1203/1403 SERIES, PT CONNECTOR LOW PROFILE LOAD CELLS | | | |
| FILLET AND RADI Ø15 MAX | FILLET AND RADI Ø38 MAX | SCALE: FULL | | | DWG. NO. 49605 |
| | | | | | SHEET 1 OF 1 |