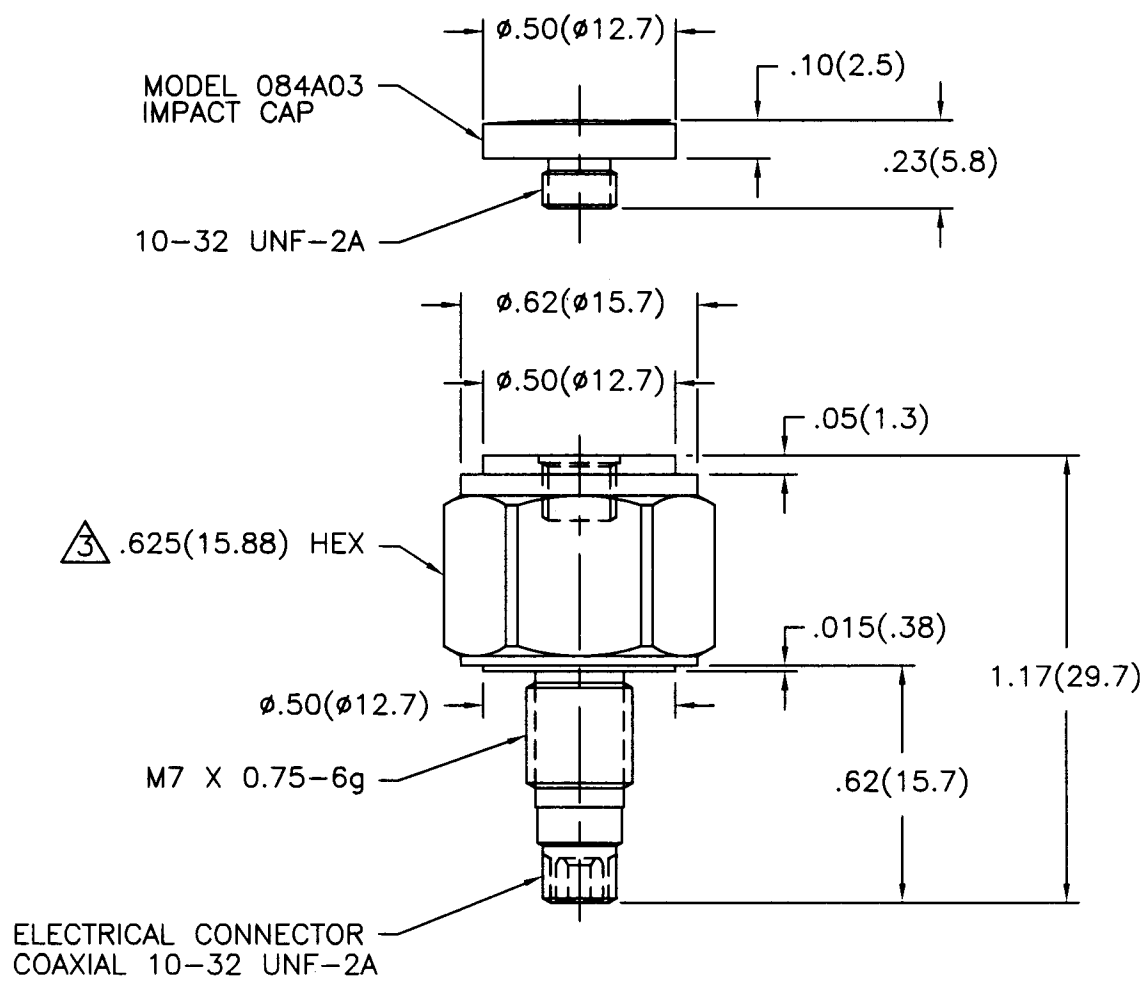


208-1110-90

PCB Piezotronics Inc. claims proprietary rights in the information disclosed hereon. Neither it nor any reproduction thereof will be disclosed to others without written consent of PCB Piezotronics Inc.

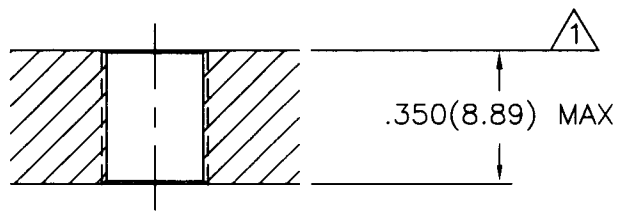
APPLICATION		
NEXT ASS'Y	USED ON	VAR

REVISIONS				
REV	DESCRIPTION	ECN	DATE	APP'D
B	UPDATED TO CAD DRAWING	15068	3/22/02	DMJ/2



**MOUNTING HOLE PREPARATION:**

Ø.250(Ø6.35) THRU <sup>2</sup>  
 TAP M7 X 0.75-6H  
 THRU



- <sup>3</sup> RECOMMENDED MOUNTING TORQUE ON .625(15.88) HEX 20-24 IN LBS(226-271 Ncm)
- <sup>2</sup> DRILL PERPENDICULAR TO MOUNTING SURFACE TO WITHIN ±1°
- <sup>1</sup> MOUNTING SURFACE UNDER SENSOR MUST BE FLAT WITHIN .001(0.03) TIR OVER A Ø.50(Ø12.7) MIN WITH A 63/(1.6/)

UNLESS SPECIFIED TOLERANCES		DRAWN	DATE	MFG	DATE	PCB PIEZOTRONICS™ 3425 WALDEN AVE. DEPEW, NY 14043 (716) 884-0001 EMAIL: SALES@PCB.COM
DIMENSIONS IN INCHES	DIMENSIONS IN MILLIMETERS (IN PARENTHESIS)	ADM	3-22-02	JW	3/28/02	
DECIMALS XX ±.01	DECIMALS XX ±0.3	CHK'D	DM	ENGR	JAB	CODE IDENT. NO. 208-1110-90
XXX ±.005	XXX ±0.13	APP'D	JWB	SALES	JPM	
ANGLES ±2 DEGREES	ANGLES ±2 DEGREES	TITLE				DWG. NO.
FILLETS AND RADII .003 - .005	FILLETS AND RADII (0.07 - 0.13)	INSTALLATION DRAWING MODELS (M)208A11-A15 FORCE SENSOR				208-1110-90
DD011 REV. B 03/13/98						SCALE: 2X SHEET 1 OF 1