

12572

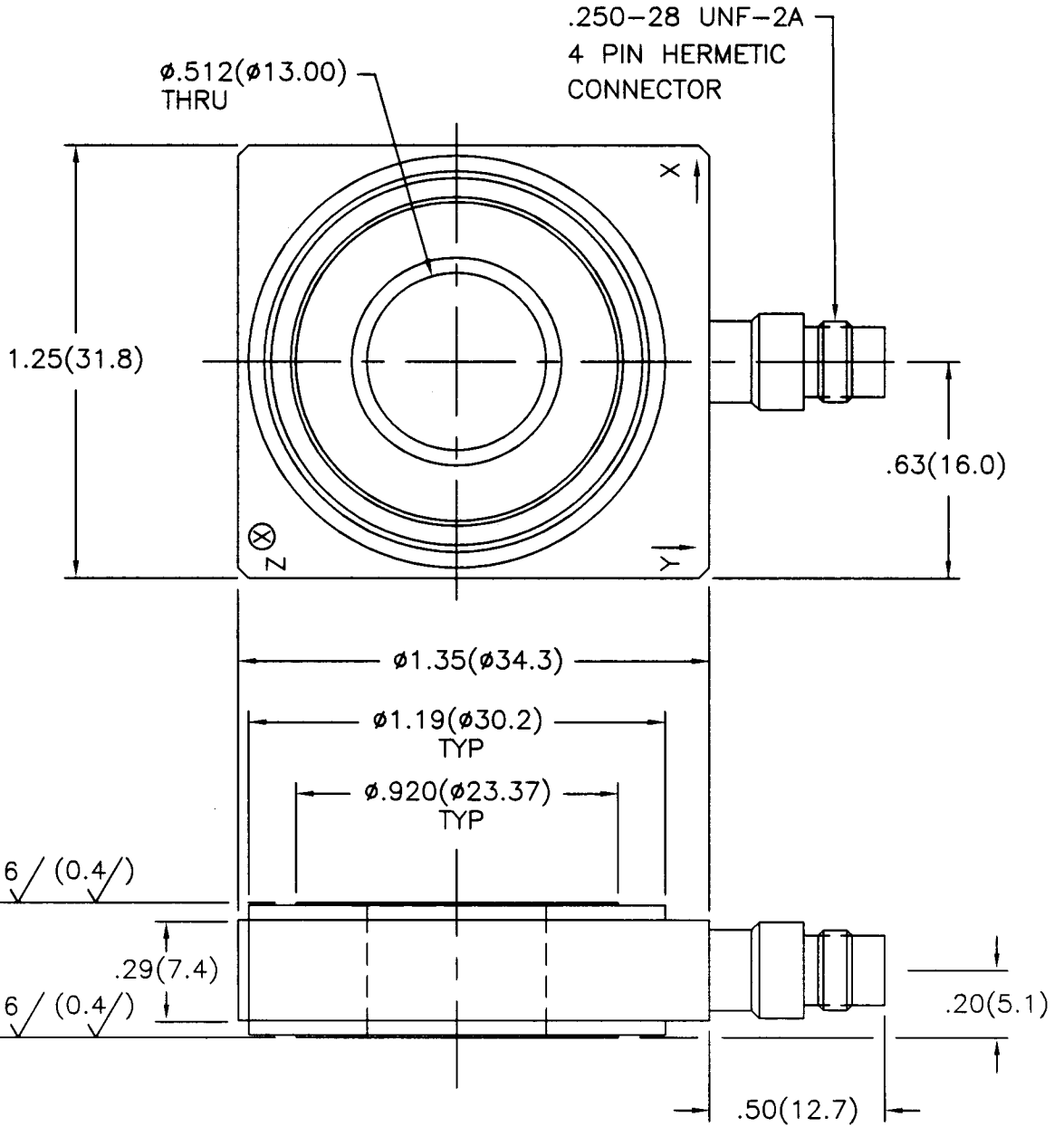
PCB Piezotronics Inc. claims proprietary rights in the information disclosed hereon. Neither it nor any reproduction thereof will be disclosed to others without written consent of PCB Piezotronics Inc.

APPLICATION

NEXT ASS'Y	USED ON	VAR

REVISIONS

REV	DESCRIPTION	ECN	DATE	APP'D
D	REVISED PER ECN	15072	3/22/02	<i>DMJ/jr</i>



1.) SEE SHEETS 2 AND 3 FOR STANDARD AND METRIC MOUNTING INSTRUCTIONS.

UNLESS SPECIFIED TOLERANCES		DRAWN	<i>JDm</i>	3-26-02	MFG	<i>JWS</i>	4/6/02	<p>3425 WALDEN AVE. DEPEW, NY 14043 (716) 684-0001 EMAIL: SALES@PCB.COM</p>
DIMENSIONS IN INCHES	DIMENSIONS IN MILLIMETERS (IN PARENTHESIS)	CHK'D	<i>DM</i>	3/24/02	ENGR	<i>K&amp;B</i>	3/26/02	
DECIMALS XX ±.01 XXX ±.005	DECIMALS XX ±0.3 XXX ±0.13	APP'D	<i>myk</i>	3/26/02	SALES	<i>gjm</i>	3/26/02	
ANGLES ±2 DEGREES	ANGLES ±2 DEGREES	TITLE		INSTALLATION DRAWING MODEL (M)260A02 ICP TRIAxIAL FORCE SENSOR		CODE IDENT. NO. 52681	DWG. NO. 12572	
FILLETs AND RADII .003 - .005	FILLETs AND RADII (0.07 - 0.13)	DD007 REV. B 03/13/98		SCALE: 2X		SHEET 1 OF 3		

12572

PCB Piezotronics Inc. claims proprietary rights in the information disclosed hereon. Neither it nor any reproduction thereof will be disclosed to others without written consent of PCB Piezotronics Inc.

APPLICATION

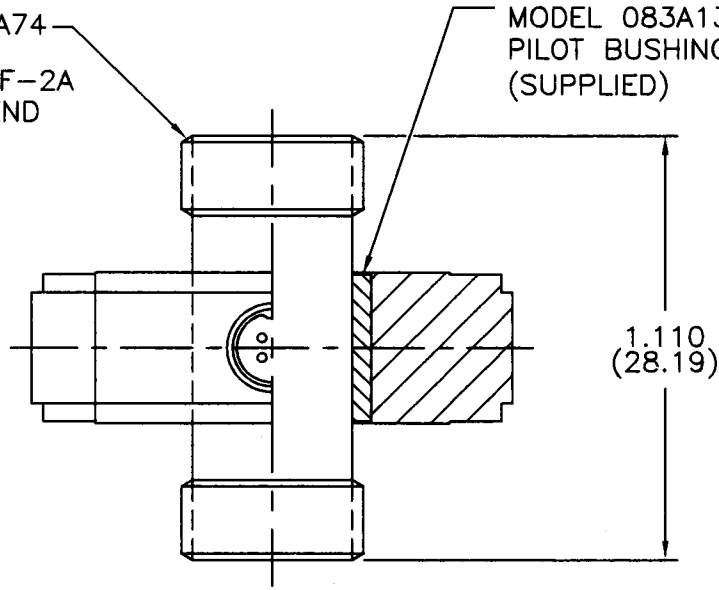
NEXT ASS'Y	USED ON	VAR

REVISIONS

REV	DESCRIPTION	ECN	DATE	APP'D
	-SEE SHEET ONE-			

MODEL 081A74  
STUD  
1/2-20 UNF-2A  
TYP EACH END  
(SUPPLIED)

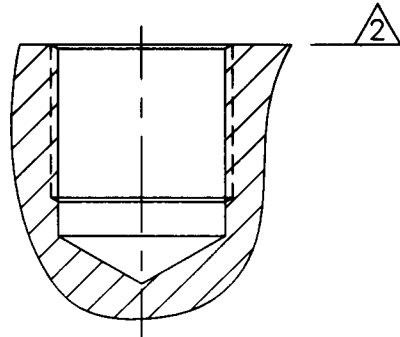
MODEL 083A13  
PILOT BUSHING  
(SUPPLIED)



TYP STUD MOUNTING  
INSTALLATION

MOUNTING HOLE PREPARATION:

DRILL  $\phi .453(\phi 11.51)$   $\triangle 3$   
X .500(12.70)  $\nabla$   
TAP 1/2-20 UNF-2B  
X .400(10.16)  $\nabla$   
PERFECT THREAD



- 4.) SEE MANUAL FOR PRELOAD INSTRUCTIONS.
- $\triangle 3$  DRILL PERPENDICULAR TO MOUNTING SURFACE TO WITHIN  $\pm 1^\circ$ .
- $\triangle 2$  MOUNTING SURFACE UNDER FORCE RING MUST BE FLAT WITHIN .001(0.03) TIR WITH A 32/ (0.8/) FINISH.

UNLESS SPECIFIED TOLERANCES		DRAWN	JDM	3-26-02	MFG	MS	4/6/02	<p>3425 WALDEN AVE. DEPEW, NY 14043 (716) 684-0001 EMAIL: SALES@PCB.COM</p>
DIMENSIONS IN INCHES	DIMENSIONS IN MILLIMETERS (IN PARENTHESIS)	CHK'D	DM	3/26/02	ENGR	RR	3/26/02	
DECIMALS XX $\pm .01$ XXX $\pm .005$	DECIMALS XX $\pm 0.3$ XXX $\pm 0.13$	APP'D	JK	3/26/02	SALES	ggm	3/26/02	
ANGLES $\pm 2$ DEGREES	ANGLES $\pm 2$ DEGREES	TITLE		INSTALLATION DRAWING MODEL 260A02 ICP TRIAxIAL FORCE SENSOR				
FILLETS AND RADII .003 - .005	FILLETS AND RADII (0.07 - 0.13)	CODE IDENT. NO.		52681		DWG. NO.		12572
DD007 REV. B 03/13/98		SCALE: 2X		SHEET 2 OF 3				

12572

PCB Piezotronics Inc. claims proprietary rights in the information disclosed hereon. Neither it nor any reproduction thereof will be disclosed to others without written consent of PCB Piezotronics Inc.

APPLICATION

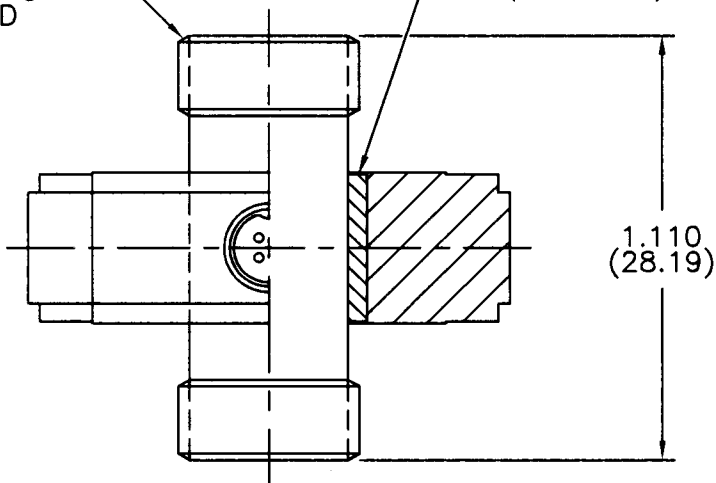
NEXT ASS'Y	USED ON	VAR
------------	---------	-----

REVISIONS

REV	DESCRIPTION	ECN	DATE	APP'D
	-SEE SHEET ONE-			

MODEL M081A74  
STUD  
M12 X 1.25-6g  
TYP EACH END  
(SUPPLIED)

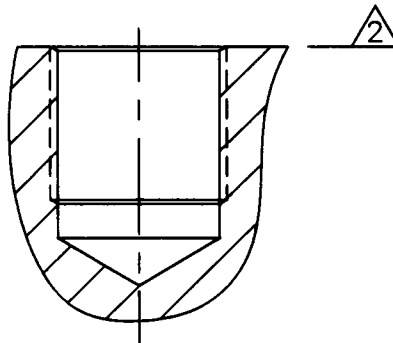
MODEL 083A13  
PILOT BUSHING  
(SUPPLIED)



TYP STUD MOUNTING  
INSTALLATION

MOUNTING HOLE PREPARATION:

DRILL  $\phi .422(\phi 10.80)$   
X  $.500(12.70)$   $\nabla$   $\triangle 3$   
TAP M12 X 1.25-6H  
X  $.400(10.16)$   $\nabla$   
PERFECT THREAD



4.) SEE MANUAL FOR PRELOAD INSTRUCTIONS.

$\triangle 3$  DRILL PERPENDICULAR TO MOUNTING SURFACE TO WITHIN  $\pm 1^\circ$ .

$\triangle 2$  MOUNTING SURFACE UNDER FORCE RING MUST BE FLAT WITHIN  $.001(0.03)$  TIR WITH A  $32/\sqrt{\phantom{x}}$  ( $0.8/\sqrt{\phantom{x}}$ ) FINISH.

UNLESS SPECIFIED TOLERANCES

DIMENSIONS IN INCHES	DIMENSIONS IN MILLIMETERS (IN PARENTHESIS)
DECIMALS XX $\pm .01$	DECIMALS XX $\pm 0.3$
XXX $\pm .005$	XXX $\pm 0.13$
ANGLES $\pm 2$ DEGREES	ANGLES $\pm 2$ DEGREES
FILLETS AND RADII .003 - .005	FILLETS AND RADII (0.07 - 0.13)

DRAWN	JDM	4-8-02	MFG	JB5	4/9/02
CHK'D	Am	4/10/02	ENGR	QAR	4/10/02
APP'D	mjk	4/10/02	SALES	gsm	4/10/02
TITLE	INSTALLATION DRAWING MODEL M260A02 ICP TRIAxIAL FORCE SENSOR				

**PCB PIEZOTRONICS**  
3425 WALDEN AVE. DEPEW, NY 14043  
(716) 684-0001 EMAIL: SALES@PCB.COM

CODE IDENT. NO. 52681	DWG. NO. 12572
SCALE: 2X	SHEET 3 OF 3