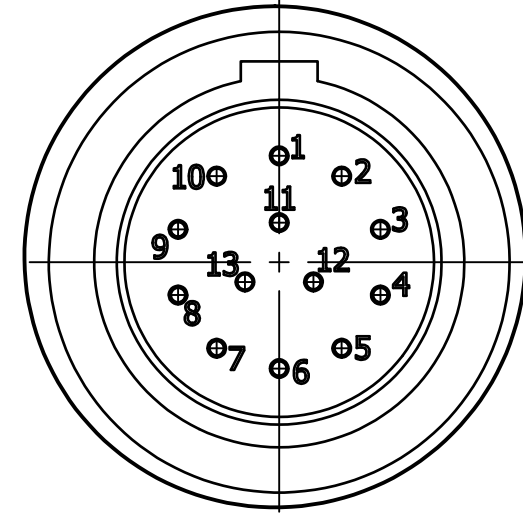
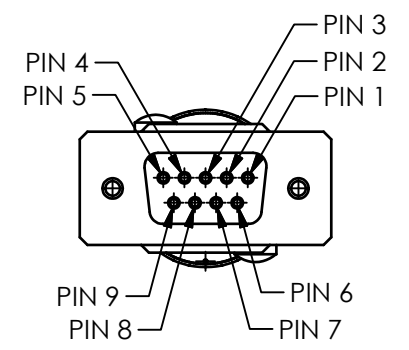
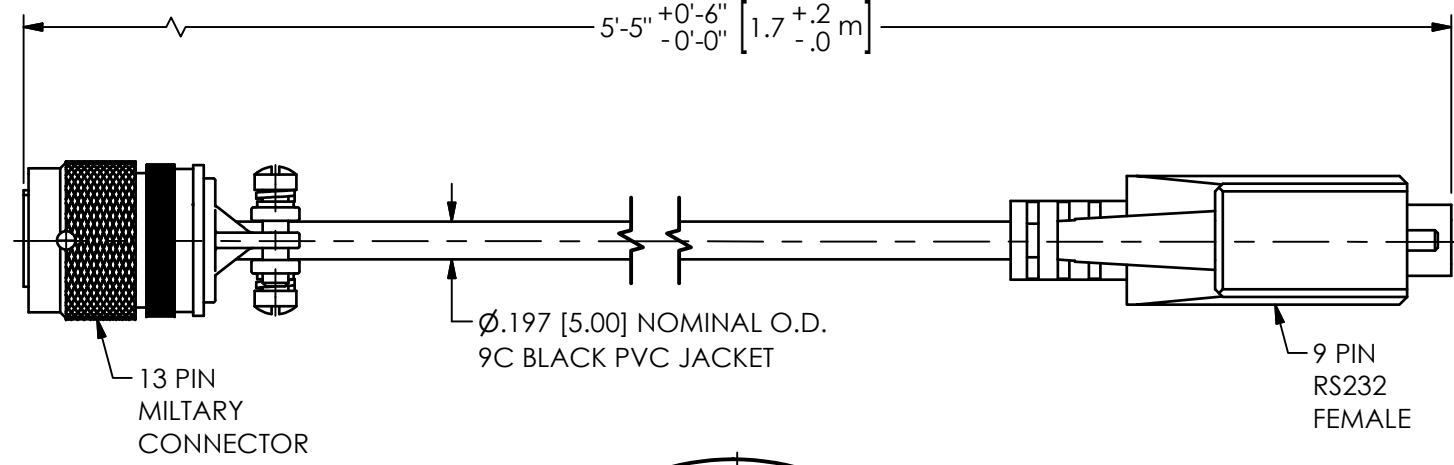
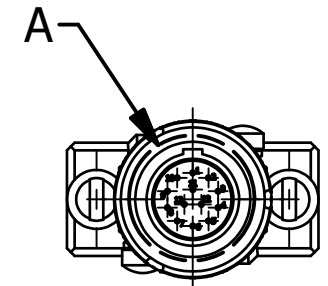


69665

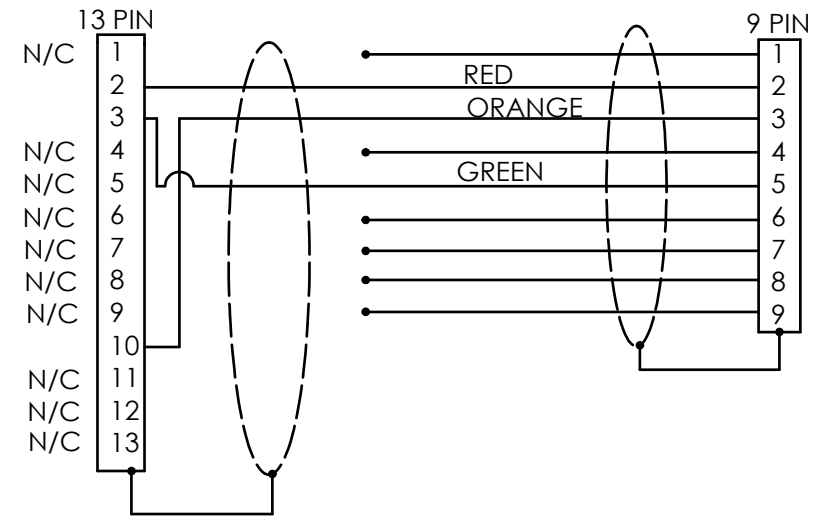
PCB Piezotronics Inc. claims proprietary rights in the information disclosed hereon. Neither it nor any reproduction thereof will be disclosed to others without the written consent of PCB Piezotronics Inc.

REVISIONS		
REV	DESCRIPTION	DIN
NR	RELEASED TO DRAFTING	48369



DETAIL A
SCALE 4X

PIN OUT		
13 PIN	9 PIN	WIRE COLOR
1	N/A	N/A
2	2	RED
3	5	GREEN
4	N/A	N/A
5	N/A	N/A
6	N/A	N/A
7	N/A	N/A
8	N/A	N/A
9	N/A	N/A
10	3	ORANGE
11	N/A	N/A
12	N/A	N/A
13	N/A	N/A



SCHMATIC DIAGRAM

UNLESS OTHERWISE SPECIFIED TOLERANCES ARE:		DRAWN		CHECKED		ENGINEER		<p>3425 WALDEN AVE. DEPEW, NY 14043 (716) 684-0001 E-MAIL: sales@pcb.com</p>
DIMENSIONS IN INCHES	DIMENSIONS IN MILLIMETERS [IN BRACKETS]	JES	6/21/18	KRM	6/21/18	HWK	6/21/18	
DECIMALS XX ±.03 XXX ±.010	DECIMALS X ±0.8 XX ±0.25	TITLE						
ANGLES ± 2 DEGREES	ANGLES ± 2 DEGREES	OUTLINE DRAWING MODEL 009M201 ECHOR RECEIVER SERIAL CABLE						CODE IDENT. NO. 52681
FILLETS AND RADII .003 - .005	FILLETS AND RADII 0.07 - 0.13							DWG. NO. 69665
							SCALE: FULL	SHEET 1 OF 1